

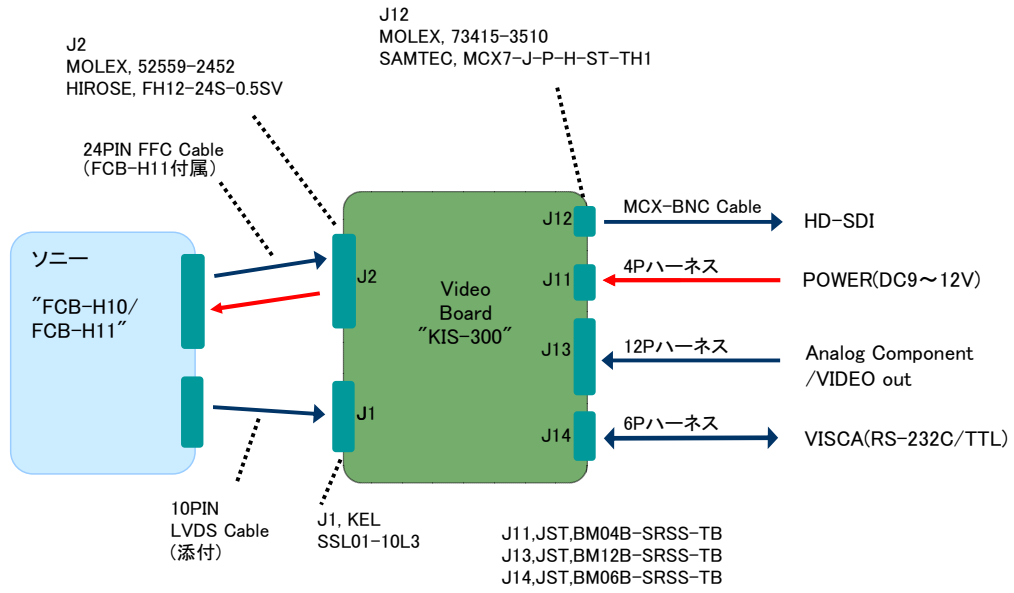
FCB-H10/11 用 HDSDI 基板

TE2-HDSDI

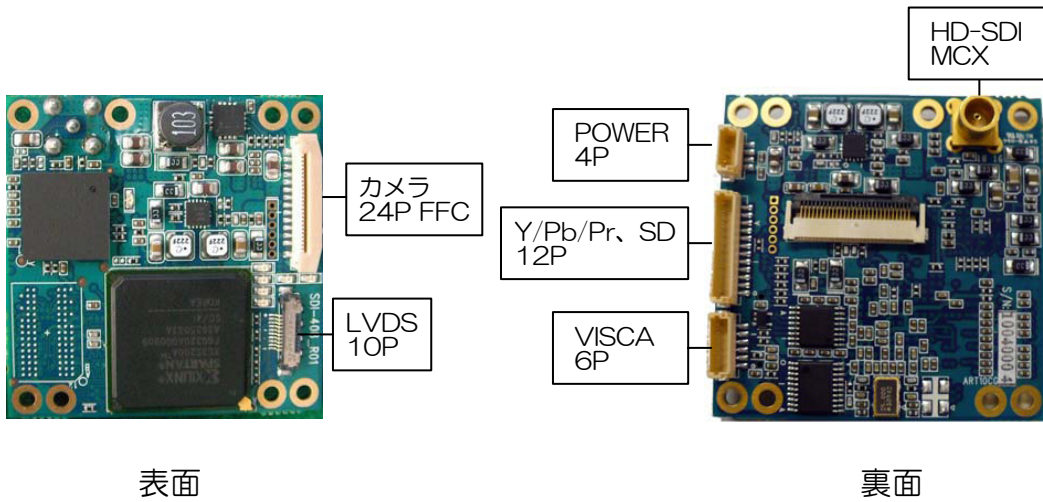
仕様書



・TE2-HDSDI 接続概要図

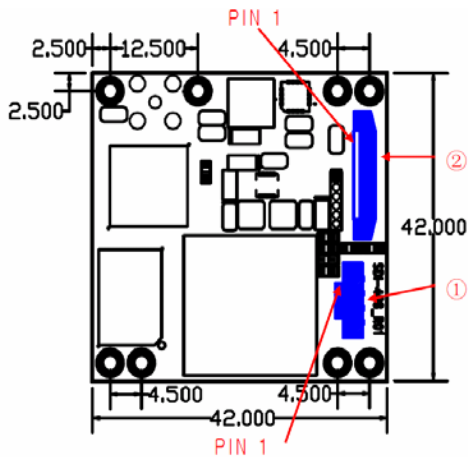


・実商品写真

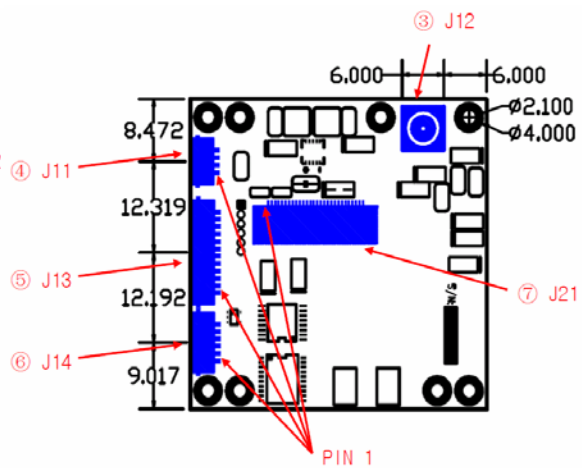


・TE2-HDSDI 基板寸法

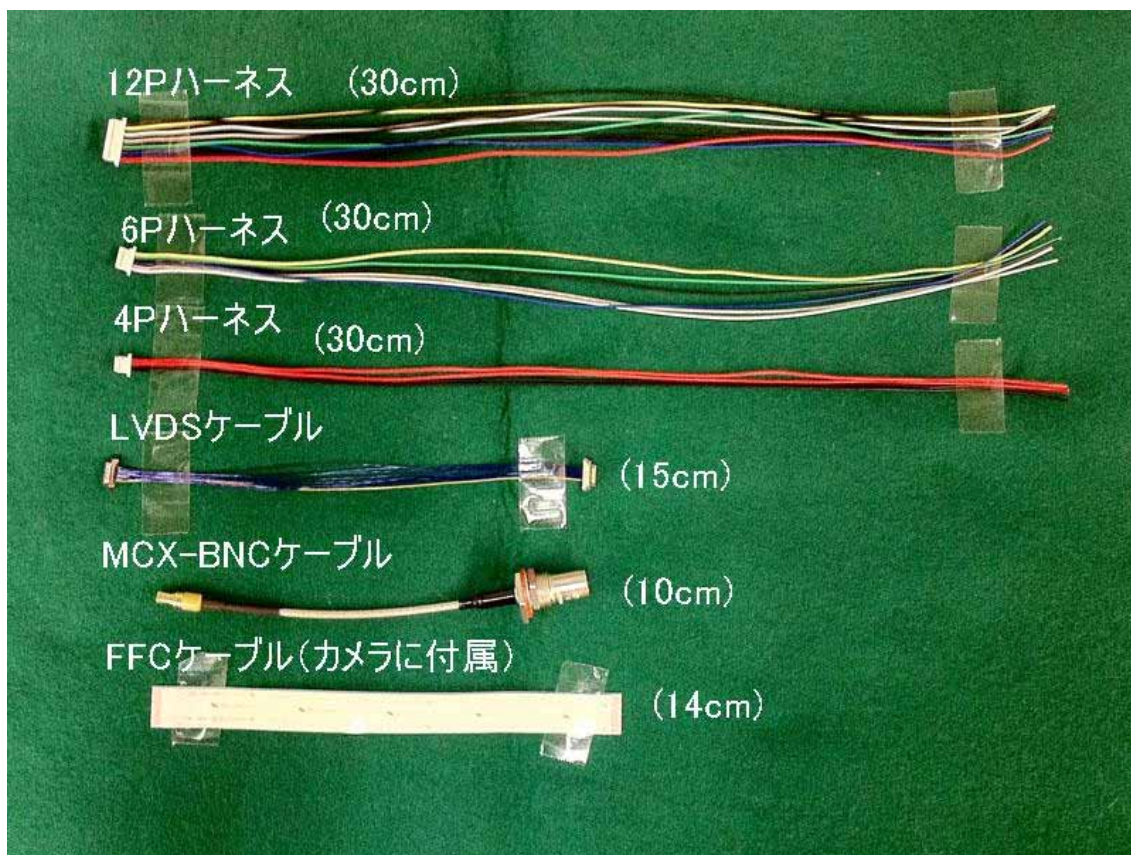
①表面



②裏面



付属品



付属ケーブルの仕様及び外観は、改良のため予告なく変更することがありますが、ご了承ください。

ケーブル接続外観



CameraSide

J1, SSL01-10L3,KEL		Direction			Electrical	Description
Name	Pin	VIDEO Board		Camera		
LVDS_TX_OUT0_N	1	Input	<-			
LVDS_TX_OUT0_P	2	Input	<-			
LVDS_TX_OUT1_N	3	Input	<-			
LVDS_TX_OUT1_P	4	Input	<-			
LVDS_TX_OUT2_N	5	Input	<-			
LVDS_TX_OUT2_P	6	Input	<-			
LVDS_TX_CLK_N	7	Input	<-			
LVDS_TX_CLK_P	8	Input	<-			
LVDS_TX_OUT3_N	9	Input	<-			
LVDS_TX_OUT3_P	10	Input	<-			

J2, MOLEX, 52559-2452 HIROSE, FH12-24S-0.5SV		Direction			Electrical	Description
Name	Pin	VIDEO Board		Camera		
GND	1					
DC_IN	2	Output	->			DC Input Bypass
GND	3					
DC_IN	4	Output	->			DC Input Bypass
DC_IN	5	Output	->			DC Input Bypass
DC_IN	6	Output	->			DC Input Bypass
DC_IN	7	Output	->			DC Input Bypass
GND	8					
HD_Pr_OUT	9	Input	<-			Bypass
GND	10					
HD_Pb_OUT	11	Input	<-			Bypass
GND	12					
HD_Y_OUT	13	Input	<-			Bypass
GND	14					
SD_VBS-OUT	15	Input	<-			Bypass
GND	16					
SVIDEO_C_OUT	17	Input	<-			Bypass
GND	18					
SVIDEO_Y_OUT	19	Input	<-			Bypass
GND	20					
RESET_IN	21	Output	->			
RXD	22	Output	->		5V TTL	
TXD	23	Input	<-		5V TTL	
GND	24					

BackPanel Side

J11, JST, BM04B-SRSS-TB		Direction		Electrical	Description
Name	Pin	VIDEO Board	I/O Board		
POWER_IN	1	Input	<-		Max input : 12V Min input:9V
POWER_IN	2	Input	<-		
GND	3				
GND	4				

J12, MOLEX, 73415-3510 SAMTEC, MCX7-J-P-H-ST-TH1		Direction		Electrical	Description
Name	Pin	VIDEO Board	I/O Board		
HD_SDI_SDO	1	Output	->		HD-SDI Output
GND	2				

J13, JST, BM12B-SRSS-TB		Direction		Electrical	Description
Name	Pin	VIDEO Board	I/O Board		
GND	1				
SVIDEO_Y_OUT	2	Output	->	Bypass	S-video Y
GND	3				
SVIDEO_C_OUT	4	Output	->	Bypass	S-video C
GND	5				
SD_VBS_OUT	6	Output	->	Bypass	Composite
GND	7				
HD_Y_OUT	8	Output	->	Bypass	HD Component Y
GND	9				
HD_Pb_OUT	10	Output	->	Bypass	HD Component Pb
GND	11				
HD_Pr_OUT	12	Output	->	Bypass	HD Component Pr

J14, JST, BM06B-SRSS-TB		Direction		Electrical	Description
Name	Pin	VIDEO Board	I/O Board		
RXD_RS232	1	Input	<-	RS232	
TXD_RS232	2	Output	->	RS232	
GND	3				
RXD_TTL	4	Input	<-	TTL, 5V	
TXD_TTL	5	Output	->	TTL, 5V	
SW_EXT	6	Input	<-	Pull-Up 10K, 2.5V	Open (High) -> SET 1920 x 1080 Short (Low) -> SET 1440 x 1080

Option Board

J31, JST,SM04B-SRSS-TB		Direction			Electrical	Description
Name	Pin	I/O Board		Video Board		
POWER_IN	1	Output	->			
POWER_IN	2	Output	->			
GND	3					
GND	4					

J34, JST,SM06B-SRSS-TB		Direction			Electrical	Description
Name	Pin	I/O Board		Video Board		
RXD_RS232	1	Output	->		RS232	
TXD_RS232	2	Input	<-		RS232	
GND	3					
N.C	4					NOT Connected
N.C	5					NOT Connected
SW_EXT	6	Output	->			

ITEM	DESCRIPTION		
VIDEO INPUT			
Video Input Format	LVDS for HD Digital video data	cf> HD data :	720p (FCB-H10/FCB-H11, SONY) 1080i (FCB-H10/FCB-H11, SONY)
Video Output Format	HD-SDI :	support format	SMPTE296M 720p/59.94, 720p/50 SMPTE274M 1080i/.59.94, 1080i/50 1.485Gb/s, 1.485/1.001Gb/s
	Component Video: SD Video		Y,Pb,Pr NTSC / PAL
I/O			
Video Input	10pin LVDS Connector		Camera side
Control Input	6pin Connector	RS-232C/TTL	Back panel side
Power Input	4pin Connector		Back panel side
Camera Power Output/Component Video Input/Control Input	24pin FFC Connector		Camera side
HD-SDI Output	MCX 75Ω		Back panel side
Component Video Output / SD Video Output	12pin Connector		Back panel side
OTHERS			
Remote Control Interface Format	VISCA protocol		
POWER			
Power consumption	Approx. 110mA @ 12VDC		
ENVIRONMENTAL			
Operating Temperature.	0 ~ +40 °C		
Humidity	30 ~ 80 %RH (non-condensing)		
PHYSICAL			
Dimension	42 (W) x 42 (L) x 14 (H) mm		
Weight	Approx. 14g		
ACCESSORY			
FFC Cable	Option (FCB-H10/H11 ACCESSORY)		
Ext. Cable	LVDS CABLE / MCX-BNC CABLE / 12P,6P,4P CABLE		